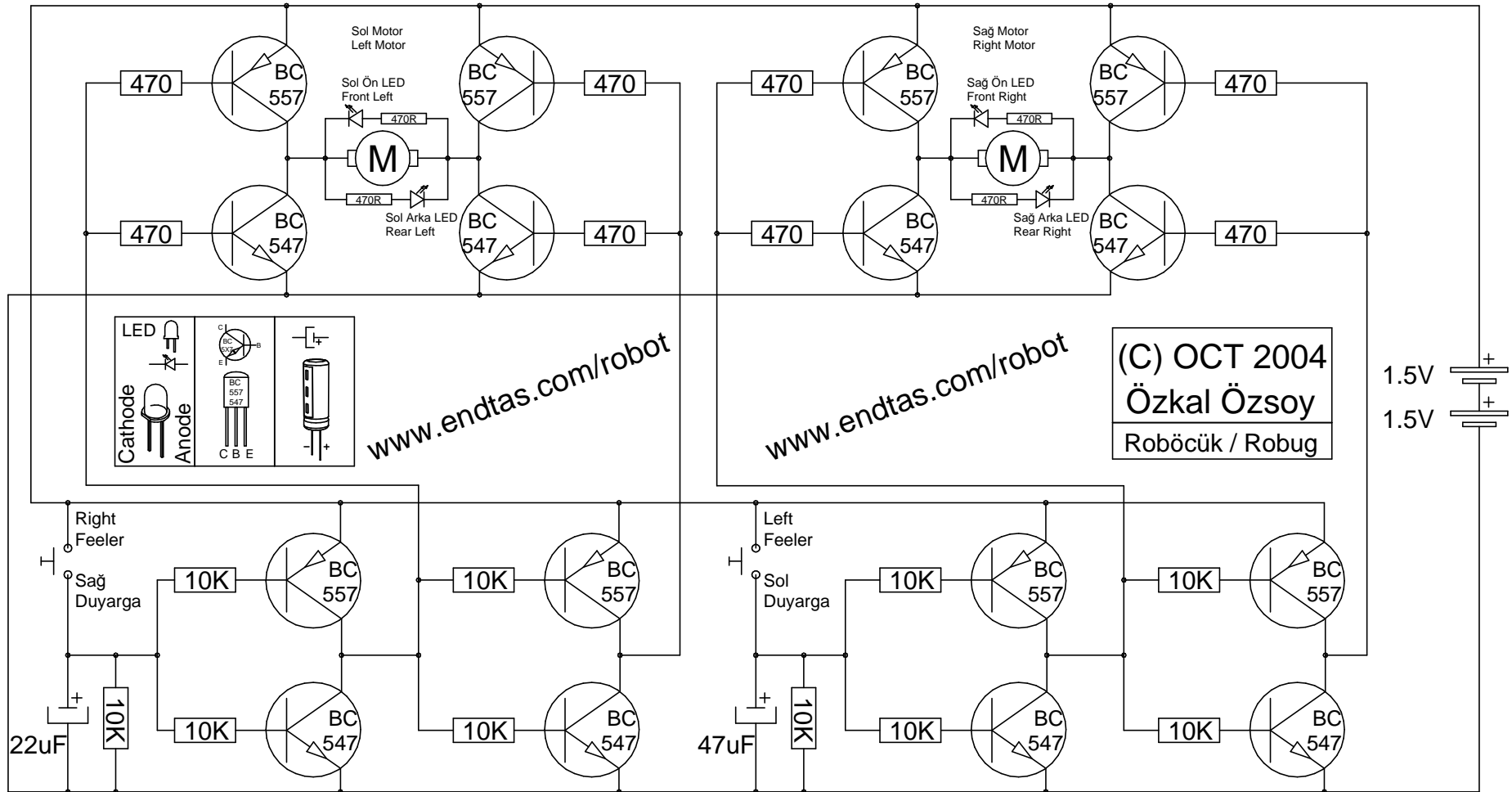


Endtas Roböcük - Robug : Robot Bug Circuit Schematic



visit www.endtas.com/robot for more robotic projects